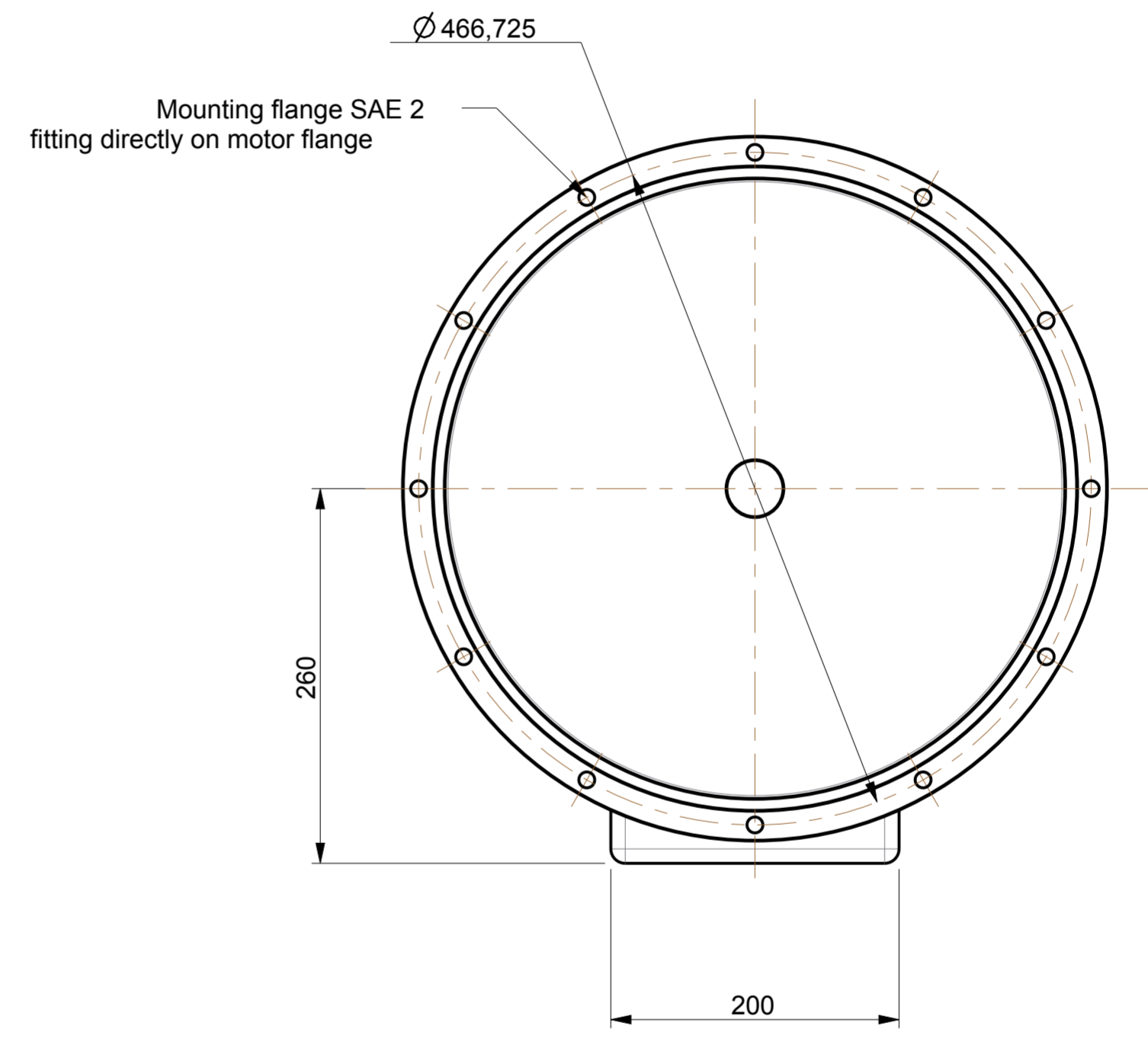
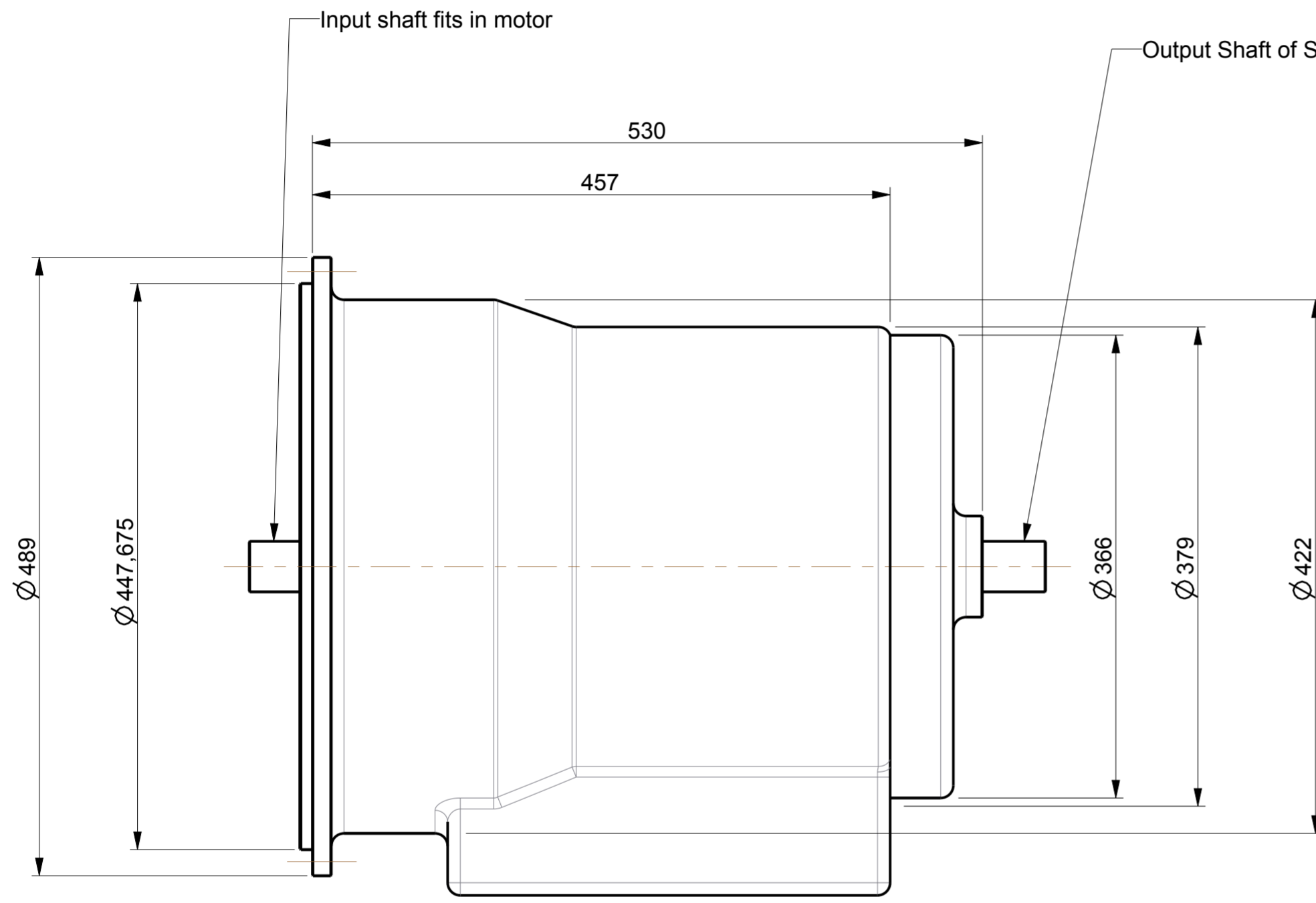


| Rev No | Revision note | Date | Drawn | Checked |
|--------|---------------|------|-------|---------|
| | | | | |
| | | | | |
| | | | | |
| | | | | |
| | | | | |

CONFIDENTIAL
All rights reserved.
Reproduction of this
drawing to third
parties is prohibited.



| TOLERANCING ISO 8015 | | GENERAL TOLERANCES UNLESS SPECIFIED PER ISO 2768-mk-E | |
|-------------------------|---|---|--------|
| L | SURFACE FINISH QUALITY UNLESS SPECIFIED | OVER 0.5 TO 3 | +/-0.1 |
| | | OVER 3 TO 6 | +/-0.1 |
| L | DIN ISO 13715 | OVER 6 TO 30 | +/-0.2 |
| | | OVER 30 TO 120 | +/-0.3 |
| | | OVER 120 TO 400 | +/-0.5 |
| L | DIN ISO 1302 | > 400 TO 1000 | +/-0.8 |
| | | > 1000 TO 2000 | +/-1.2 |

| | | | | | | | | |
|--------------------|------------|-------------------|--|--------------------|--------------|--------------------|-------------------------|--|
| Material | | Heat treatment | | Hardness | | Weight | | |
| Designed by FDM | Checked by | Approved by, date | | Filename SVT350 | Scale 1:4 | Size A2 | DIMENSIONS ARE IN MM | |
| MAZARO | | | | SVT350 WRAP | | | | |
| | | | | WRAP DIMS | | Version not rel | Sheet 1/1 | |